

# FUZE PENDANT COMPACT™



The **FUZE PENDANT Compact™** provides powerful illumination for a variety of house and area lighting applications. Crisp whites with a high CRI, plus subtle pastels and powerful pure colors with 16-bit dimming, allow for a wide range of smooth illumination and dynamic effects for any environment. At up to 7,200 lumens, the FUZE PENDANT Compact is ideal for a variety of ceiling height applications yet is compact enough to be adaptable to smaller spaces. It is convection cooled for absolute silence and has no fans or other moving parts for a long maintenance free product life. Pendant and optional yoke or recessed ceiling options provide flexibility when finding the ideal mounting position and a variety of lens choices (45° included, 25°, 40°, 50°, and 100° optional) allow for precise light distribution. Industry standard power and DMX connections, plus included terminal block connections for power, emergency battery input and 0-10V control, support multiple permanent or temporary install requirements with a single product design.

## FEATURES

- Full Spectrum 144W 5in1 LED Array
- 2,400 - 8,500K Color Temperature
- CRI 90 @ 3,200K
- 7,200 Total Lumen Fixture Output
- 45° Lens Included
- Optional 25°, 40°, 50°, and 100° Lens Available
- Compact Fanless Design
- DMX, RDM, 0-10V and E-FLY Wireless Support
- 48V Emergency Battery Input
- Bare Wire Block Terminal Connections (connectors included)
- Pendant Bracket (included)
- Optional Yoke or Recessed Ceiling Mount Kits Available
- Optional Half and Full Snoot Kits Available



**PRODUCT SPECIFICATIONS**

**SOURCE**

144W 5-in-1 RGBWL (Red, Green, Blue, White, Lime) LED Array  
50,000 Hour Average LED Life

\*Test lab conditions. May vary depending on several factors including but not limited to: Environmental Conditions, Power/Voltage, Usage Patterns (On-Off Cycling), Control, Dimming, and Lamp Mode.

**PHOTOMETRIC DATA**

7,200 Total Lumen Fixture Output  
CRI 90 @ 3,200K  
45° Lens Included

**EFFECTS**

Color Temperature Control 2,400K - 8,500K  
Virtual Color Swatch Book  
Dimmer, RGB, RGBWL and HSI Control Options  
Variable 16-bit Dimming Curves  
High Speed Electronic Shutter and Strobe  
DMX and Menu adjustable LED Refresh Rate Frequency

**CONTROL / CONNECTIONS**

8 DMX Channel Modes  
Standalone and Primary/Secondary Modes  
RDM (Remote Device Management)  
0-10V Dimming (Current-Sink)  
E-FLY™ Internal Extended Range Wireless DMX Transceiver  
4 Button Control Panel and OLED Menu Display  
Locking 5pin XLR Connector In/Out  
Locking IP65 Power Connector In  
3pin Wire Terminal Block (12-24 AWG (4.0 - 0.25 mm²))  
5pin Wire Terminal Block for 0-10V, DMX (24AWG / 0.25 mm²)  
2pin Wire Terminal Block for 48V Emergency Battery Input (24AWG / 0.25 mm²)

**SIZE / WEIGHT**

Length: 197mm  
Width: 196mm  
Vertical Height: 298mm  
Weight: 11.6 lbs. (5.3 kg)

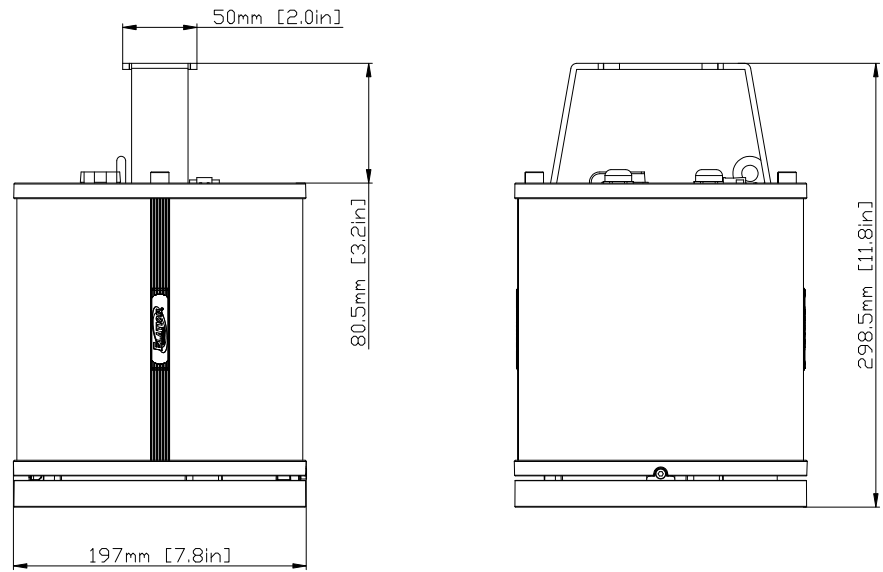
**ELECTRICAL / THERMAL**

AC 100-240V - 50/60Hz  
Max Power Consumption 145W  
14°F to 113°F (-10°C to 45°C)

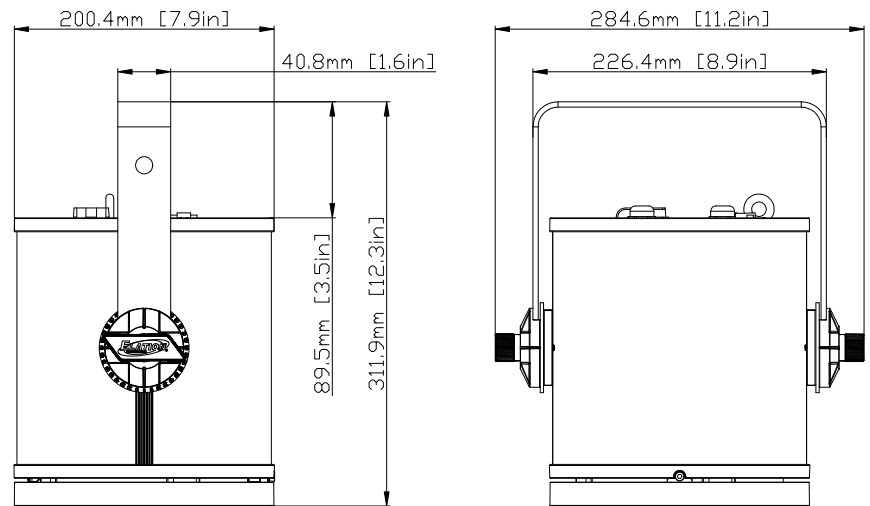
**APPROVALS / RATINGS**

CE | cETLus | IP20

**DIMENSIONAL DRAWING (PENDANT BRACKET ATTACHED)**



**DIMENSIONAL DRAWING (YOKE BRACKET ATTACHED)**



**ORDERING INFORMATION**

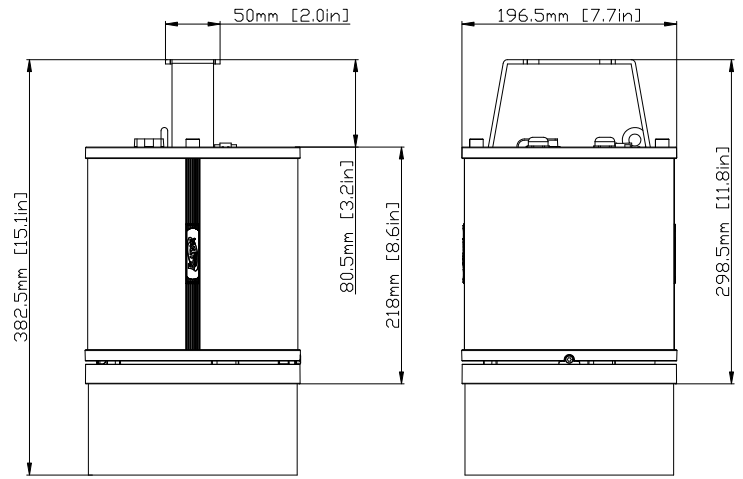
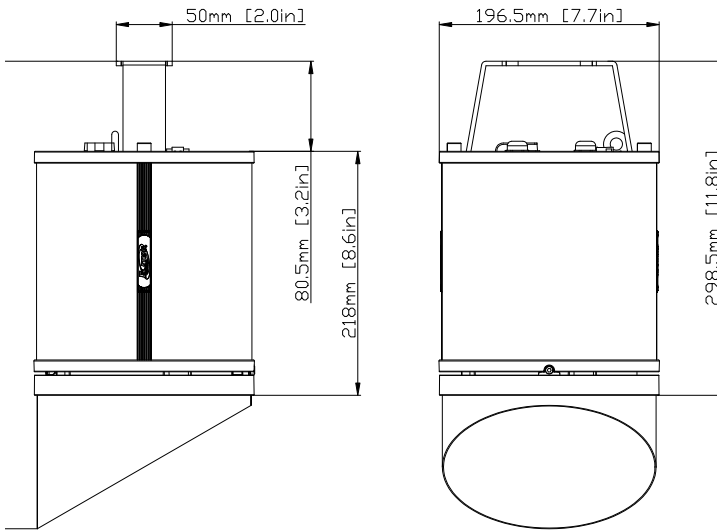
| SKU (US) | SKU (EU)   | ITEM                 |
|----------|------------|----------------------|
| FUZ292   | 1237000262 | Fuze Pendant Compact |
| FPL25    | 1237000229 | 25° Lens             |
| FPL40    | 1237000243 | 40° Lens             |
| FPL50    | 1237000228 | 50° Lens             |
| FPL100   | 1237000269 | 100° Lens            |
| FPCMK    | 1237000244 | Ceiling Mount Kit    |
| FPYMK    | 1237000245 | Yoke Mount Kit       |
| FPHS     | 1237000246 | Half Snoot           |
| FPFS     | 1237000247 | Full Snoot           |

\*DRAWINGS NOT TO SCALE

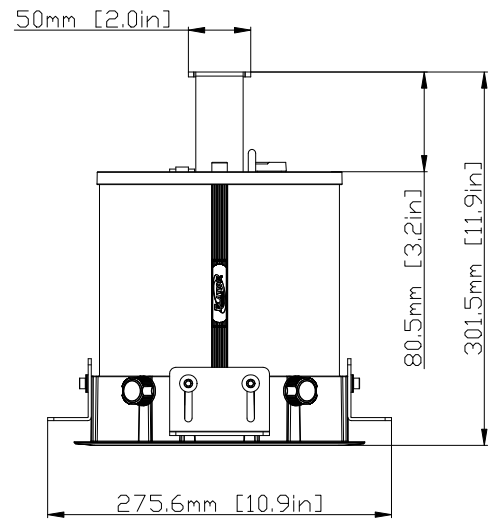
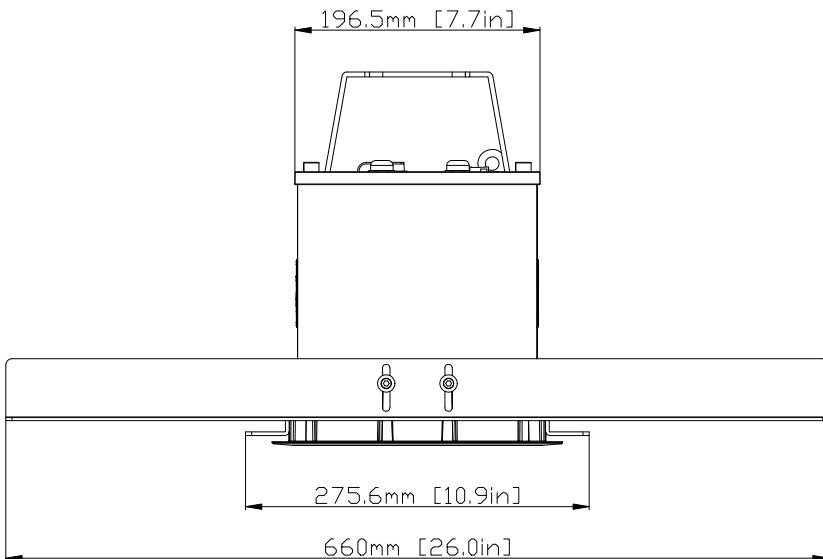
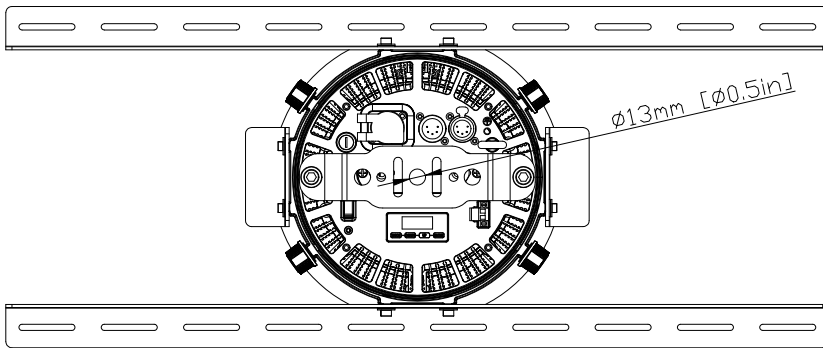


**DIMENSIONAL DRAWING (HALF SNOOT ATTACHED)**

**DIMENSIONAL DRAWING (FULL SNOOT ATTACHED)**



**DIMENSIONAL DRAWING (RECESSED CEILING KIT)**



\*DRAWINGS NOT TO SCALE

